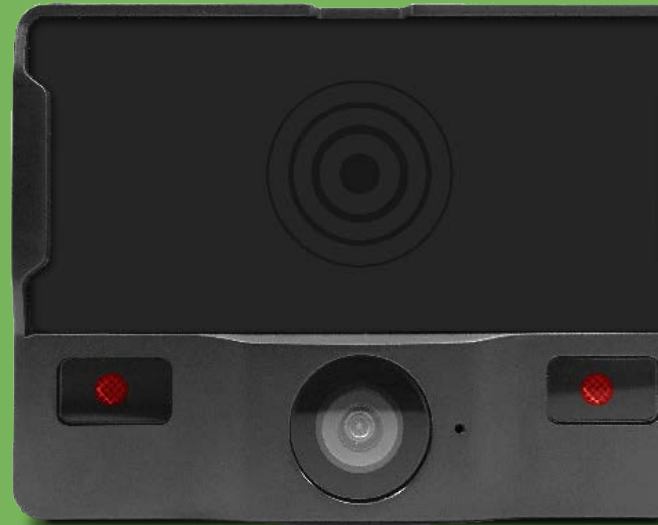


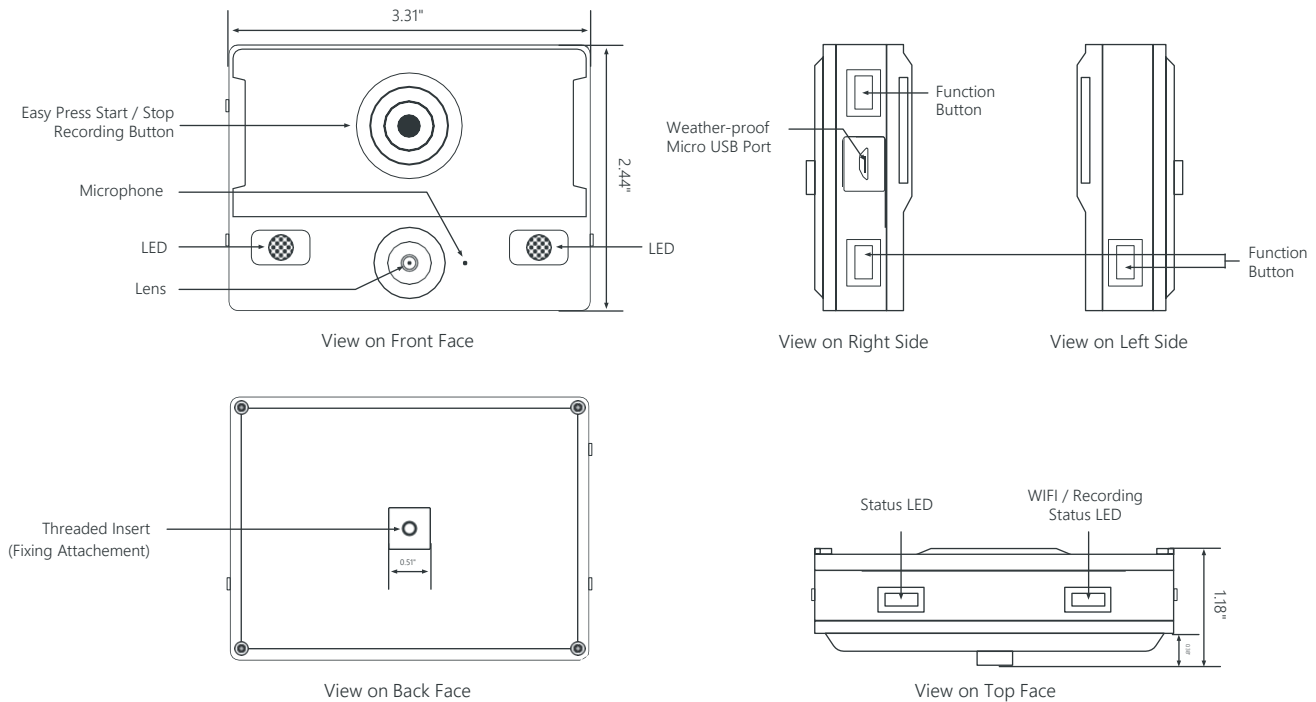
VB-300 TECHNICAL SPECIFICATIONS

The VB-300 series of Body Worn Cameras represent the first generation of WiFi enabled VideoBadges by Edesix.

With a 130 degree horizontal field of view, day & night recording capability, RFID touch-assign enabled and integrated pre-record function, VB-300 VideoBadges are able to record unrivalled footage of ongoing incidents.



CAMERA FEATURE	DESCRIPTION / SPECIFICATION
Typical Usage	Deployments where the VB-300's large field of view, longer life battery and WiFi streaming capabilities are key.
Pre-record Facility	Up to 14 hours of continuous pre-recording, with a configurable pre-record period.
Dimensions	3.31" x 2.44" x 1.18" (VB-320) x 1.42" (VB-340)
Weight	3.53oz without any mounting (VB-320), 4.94oz without any mounting (VB-340).
User Access or Sealed Unit	Sealed unit with no user access to storage media or battery.
Storage Media	Internal solid state, protected recordings.
Recording Capacity	Up to 8hrs / Up to 14hrs (VB-320 / VB-340).
Recording Storage Capacity	16GB / 32GB (VB-320), 32GB (VB-340)
File size for hour of recording	1GB at 640 x 480 standard resolution, 2GB at 1280 x 720 HD resolution.
Battery capacity in standby (instant recording mode)	48hrs (VB-320) 96hrs (VB-340).
Battery type	Lithium-ion (no battery memory) does not require discharge before charging.
Battery overcharge protection	VideoBadge has overcharge protection so cannot be overcharged and can be left in docking station.
Battery indication	Power LED indicates: Green = battery charged Red = 15 minutes recording time left Blue = WiFi Active



CAMERA FEATURE	DESCRIPTION / SPECIFICATION
Battery life in recording mode	8hrs (VB-320) / 14hrs (VB-340)
Battery refresh process	3 years recommended refresh time, depending on amount of standby time required
RFID assigned	Continual red blinking LED indicates badge is RFID assigned to you
Bookmark footage	Pressing the top left button whilst recording is in process, will bookmark an instance within the video
Configurable	Configure buttons, LEDs and recording functions to suit your needs
Switches	Squeeze pair of buttons to start / stop recording or press the front of the camera to start / stop recording
Recording status user notification	Visual recording light and audible beep to notify user of recording on / off
Front display message	Options: → Display card with message / logo
Download rate	5mins per hour of recording (parallel downloading with docking station)
Frame rates	30/25/15/12.5 fps. By default VideoBadge records at 25 frames per second
Lens capture angle	Wide angle, 130 degree horizontal field of view
Video downloading protected by encryption	AES 256, encrypted keys specific to base station

CAMERA FEATURE	DESCRIPTION / SPECIFICATION
Resolution	<ul style="list-style-type: none"> → Up to 1280 x 720 (HD) → 640 x 480 standard setting - evidential quality → HD increases file size → H.264 Video Encoding
Recording rate	25/30 frames per second, real time recording (each frame is available to view as a still image for evidential accuracy, by authorised user)
Recordings view, copy and deletion ability	The VideoBadge wearer cannot access, view or delete any recordings. Only authorised users have access to recordings, after download at secure site
Day / night operation	Supports low light conditions to 1 lux, meaning street lighting and internal lighting is adequate for operation
Audio capture	Standard audio configuration is near field capture with background noise reduction
Network data security on USB storage media	VideoBadge does not appear as a USB storage device and cannot receive files whilst connected to a network
Surveillance and data protection compliance	<p>All compliance controls built in as standard</p> <p>RIPA compliance (The Regulation of Investigatory Powers Act 2000) VideoBadge does not require RIPA authority to use, as is overt recording</p> <p>Surveillance compliance VideoBadge front display, access restrictions and system controls for data management, provide compliance to Home Office - Surveillance Code of Practice</p> <p>Data protection VideoBadge encryption-protected recordings, access restrictions, system controls and audit trail for Information Commissioner Office compliance</p>
Anti-interference shielding	Built in radio anti-interference shield tested against Police TETRA and general two-way radio comms (SPEC5)
Battery recharging times	Up to 4hrs / Up to 8hrs (VB-320 / VB-340) from a fully flat battery
Download times	5 minutes per hour of recording
Weather proofing	Tested to IP54 weatherproof rating
Warranty	1 year from purchase, extendable to 3 years. Special police specific warranty available
Environmental temperature operational rating	-4°F to +104°F, non-condensing, operating
Running audit track log	Usage, operations and recording details all logged and indexed
Digital evidence integrity chain	Full audit trail with generated check-sums and watermarked evidential outputs (routinely used in criminal and civil court actions)

CAMERA FEATURE	DESCRIPTION / SPECIFICATION
Connections	USB to local computer. VideoBadge connection choice: <ul style="list-style-type: none"> → Single cable USB charge → Wire free connection with 14-way docking station, mains and single USB connection
Training	<ul style="list-style-type: none"> → Training free system for VideoBadge operators → Full instruction manuals and telephone support for system managers → Optional on-site set-up and training when IT also supplied by Edesix
Frame count	Each frame is numbered and cannot be edited or amended without violating checksum
Date & time watermark	Each frame has date and time watermark
Time synchronisation	Time source is local PC, with options of network or web synchronisation
Individual frame burning information	<ul style="list-style-type: none"> → Device ID → Date and Time (UTC) → Universal time clock → Frame count number
WEEE compliant	Edesix observes all relevant Waste Electrical and Electronic (WEEE) regulations and honours the required arrangements for the safe disposal and recycling of its product

WIFI FEATURE	DESCRIPTION / SPECIFICATION
Specification	802.11 a/b/g/n (2.4GHz WiFi), infrastructure or ad-hoc
Security	WPA2-Enterprise(*), WPA2-PSK, WPA-PSK, WEP or open
Streaming	RTSP, 640x268p (SD) 700kbps, 64kps audio with digest or open authentication (VB-320w or VB-340w)

MOUNTING OPTIONS	DESCRIPTION / SPECIFICATION
Uniform and clothing fixings	Fixed & Tilting Klick Fast, Crocodile style shirt-clip, sports-camera mounting
Vehicle mounting option	Compatible with all Klick Fast and sports-camera dashboard and screen mounts